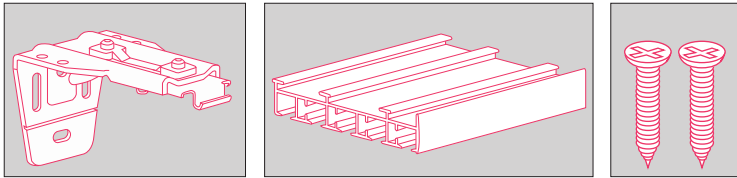


## HOW TO INSTALL PANEL GLIDE BLINDS



### Items Checklist

- Panels & Base Rails
- Brackets & Screws
- Track & Control Wands

### Tools Required

- Cordless Drill with Philips head drill bit
- Metal Tape Measure
- A Ladder if necessary

It is important to securely attach the brackets to the mounting surface. To achieve this the included screws must secure into wood studs, otherwise a fastener is required for secure mounting (not included).

Make sure the fastener you purchase is suitable for the weight of the product. If you are unsure, please contact us so we can suggest the correct fastener.

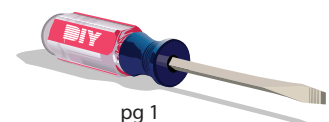
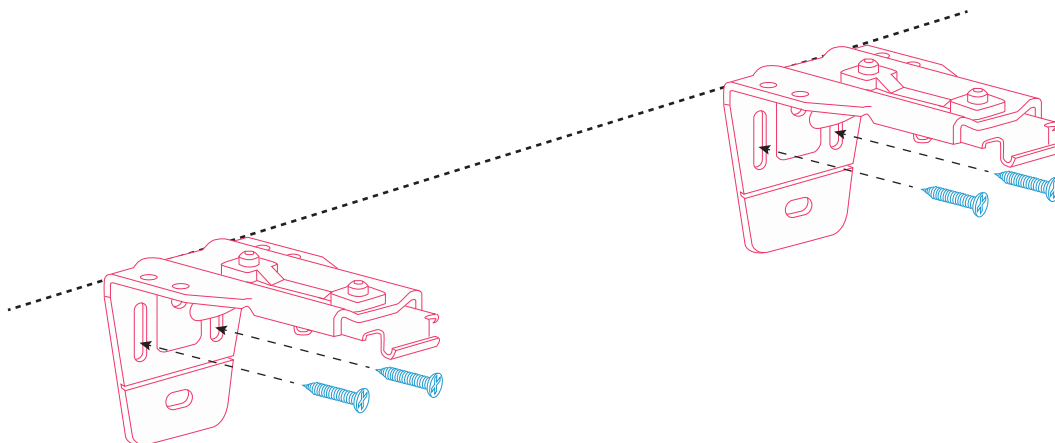
PLASTER	TIMBER	CONCRETE, STONE, BRICK or TILE
We recommend the use of the Ramset 10mm Grip Hollow Wall Anchor	Pre-drill holes and use the included screws	Use a masonry drill and appropriate plugs, anchors or screws

### PANEL GLIDE BLINDS INSTALLATION

#### 1. Installing Brackets

a) Keep the end brackets 50mm in from the edge of the architrave, space evenly across the window. Mark if necessary and pre drill 2 holes. After drilling holes, secure the brackets with screws. (Wood screws have been provided, however screws suitable for gyprock or brick walls may need to be purchased)

b) Ensure that the height of your bracket is at the height which you measured for your order.



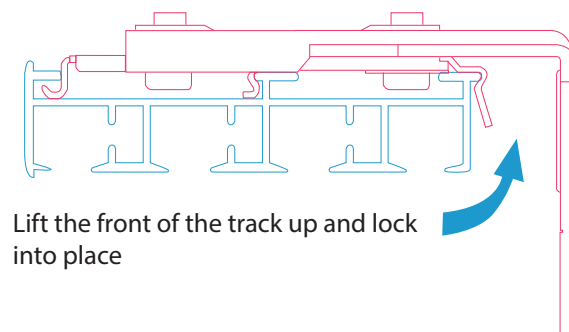
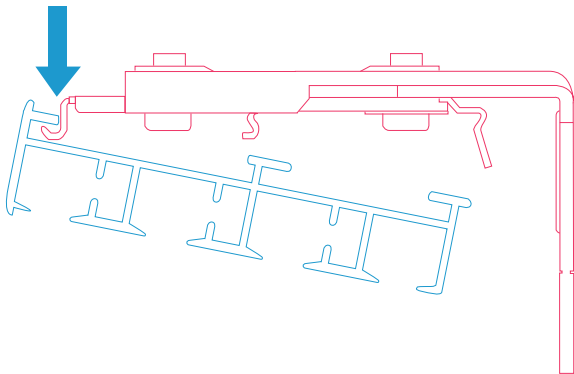
## ROLLER BLINDS INSTALLATION

### 2. Positioning The Track

- Lift the track into place, ensuring that it is evenly spaced across your window.
- Insert the back of the bracket into the groove on the top at the rear of the track.
- Lift the front of the track up and click into place.

**HANDY TIP:** For large width blinds have a second person help hold the blind into position.

Hold the back of the bracket into the groove



Lift the front of the track up and lock into place

### 3. Attaching The Panels

- Fold the top of the panel width wise along the plastic spline.
- Unscrew the end cap on the relevant top rail.
- Insert the folded section of the blind into the top rail.
- Replace the top rail end cap.

**HANDY TIP:** Make sure your hands are clean and dry before touching the blind.

### 4. Attaching The Child Safe Control Wand

Hook the wands to both ends of the track for easy operation. To open and close, slowly push or pull the wand in the direction that is required.

**5** Year  
Warranty  
[www.diyonlineblinds.com.au](http://www.diyonlineblinds.com.au)

Best Price  
Guarantee **10%**  
Or we'll beat it by  
[www.diyonlineblinds.com.au](http://www.diyonlineblinds.com.au)

Australian  
Made &  
Owned  
  
[www.diyonlineblinds.com.au](http://www.diyonlineblinds.com.au)

For further information please contact our dedicated customer service team between Monday to Friday 9AM to 9PM or Saturday to Sunday 10AM to 5PM.

**Phone:** 1300 918 390 **Email:** [sales@diyonlineblinds.com.au](mailto:sales@diyonlineblinds.com.au)

